

# Grid-tied PV Inverter

3.6KW/4.2KW/4.6KW/5KW



## Features:

- Transformerless with the best patented Topology
- Max efficiency up to 98.0%
- Dual MPPT inputs accommodating wide voltage range
- Compact structure design
- Simple national setting

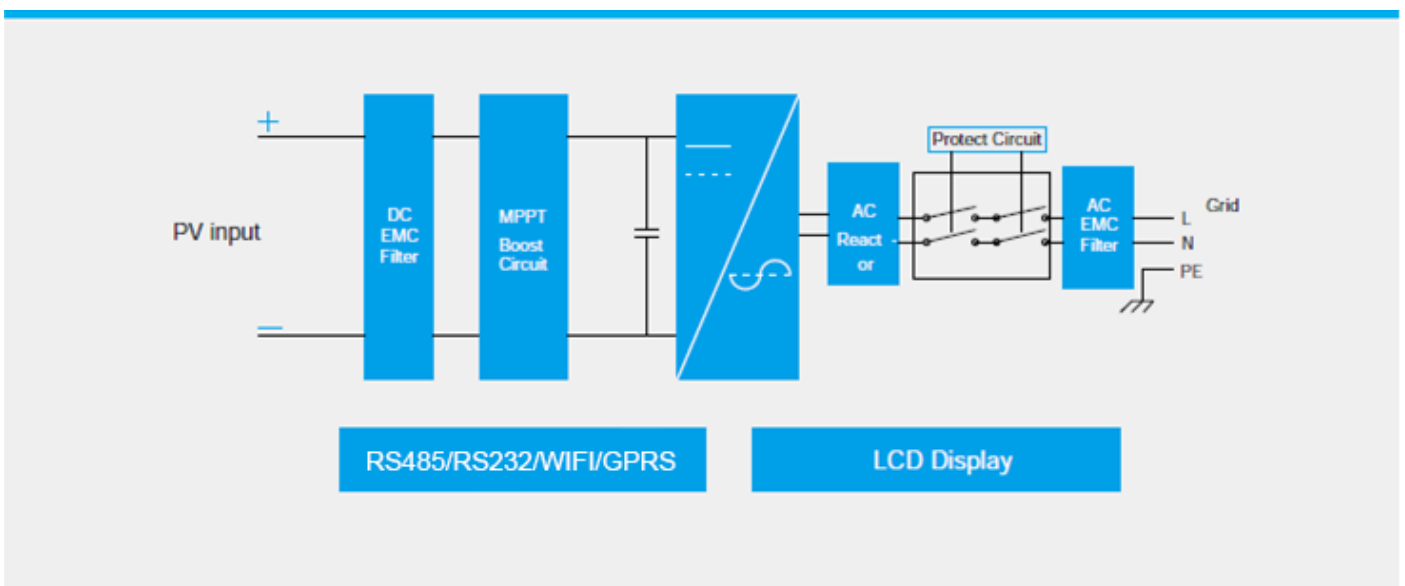
## Flexibility:

- Indoors and outdoors usage (IP65)
- Easy installation and free maintenance
- Sound control
- RS485/RS232/WIFI/GPRS communication
- Multi-lingual display

## Reliability:

- Reliable protection for over/under voltage, anti-islanding, short circuit, overload, etc.
- 5-year quality warranty extends to 15-years(optional) exclusively.
- Comply with VDE0126-1-1 , EN62109 - 1,EN62109-2,G83,AS/NZS 3100,AS4777.2, AS4777.3,VDE-AR-N-4105,CQC etc.

## Diagram :



## Technical data

Inverter Model	3600W	4200W	4600W	5000W
<b>Input (DC)</b>				
Max DC power	4400 W	5000 W	5400 W	5800 W
Max DC power each MPP tracker	3000 W	3000 W	3000 W	3000 W
Max DC voltage	550 V	550 V	550 V	550 V
Full load MPPT Voltage Range / Rated Voltage	80-550 V/360V	80-550 V/360V	80-550 V/360V	80-550 V/360V
Max input current input A/ input B	11A/11A	11A/11A	11A/11A	11A/11A
Start Voltage / On-grid Voltage	100/120V	100/120V	100/120V	100/120V
Number of MPP trackers / Strings per tracker	2/1	2/1	2/1	2/1
<b>Output (AC)</b>				
AC nominal power	3600 W	4200 W	4600 W	5000 W
AC nominal apparent power	3600 VA	4200 VA	4600 VA	5000 VA
Nominal AC voltage	220V/230V/240V	220V/230V/240V	220V/230V/240V	220V/230V/240V
AC voltage range	176V-270V	176V-270V	176V-270V	176V-270V
AC grid frequency	50Hz/60Hz	50Hz/60Hz	50Hz/60Hz	50Hz/60Hz
Max output current	16.4A	19.1A	20.9A	22.7A
Power factor(adjustable)	0.8leading~0.8lagging	0.8leading~0.8lagging	0.8leading~0.8lagging	0.8leading~0.8lagging
Harmonics(THD)	<3%	<3%	<3%	<3%
<b>Efficiency</b>				
Max efficiency	98.1%	98.1%	98.1%	98.1%
Euro efficiency	97.3%	97.4%	97.5%	97.6%
CEC efficiency	97.6%	97.7%	97.8%	97.8%
MPPT efficiency	99.9%	99.9%	99.9%	99.9%
<b>General data</b>				
Dimensions (W / H / D)	340 / 398/ 120 mm	340 / 398/ 120 mm	340 / 398/ 120 mm	340 / 398/ 120 mm
Weight	11kg	11kg	11kg	11kg
Operating temperature range	-25°C~ +60°C	-25°C~ +60°C	-25°C~ +60°C	-25°C~ +60°C
Degree of protection (according to IEC 60529)	IP65	IP65	IP65	IP65
Climatic category (according to IEC 60721-3 -4)	4K4H	4K4H	4K4H	4K4H
Internal consumption: (night)	<0.5 W	<0.5 W	<0.5 W	<0.5 W
topology structure	Transformerless	Transformerless	Transformerless	Transformerless
Cooling concept	Natural Convection	Natural Convection	Natural Convection	Natural Convection
Noise (typical)	<30 dB	<30 dB	<30 dB	<30 dB
Communication	RS485/RS232/WIFI/GPRS	RS485/RS232/WIFI/GPRS	RS485/RS232/WIFI/GPRS	RS485/RS232/WIFI/GPRS
Warranty (5 / 10 / 15 years)	Yes/Opt./Opt.	Yes/Opt./Opt.	Yes/Opt./Opt.	Yes/Opt./Opt.
DC Switch	Opt.	Opt.	Opt.	Opt.