

Grid-tied PV Inverter



**10KW/12KW/15KW/
17KW/20KW**



Features:

- Transformerless with the three level Topology
- Max efficiency up to 98.0%
- Dual MPPT inputs accommodating wide voltage range
- Compact structure design
- Simple local setting

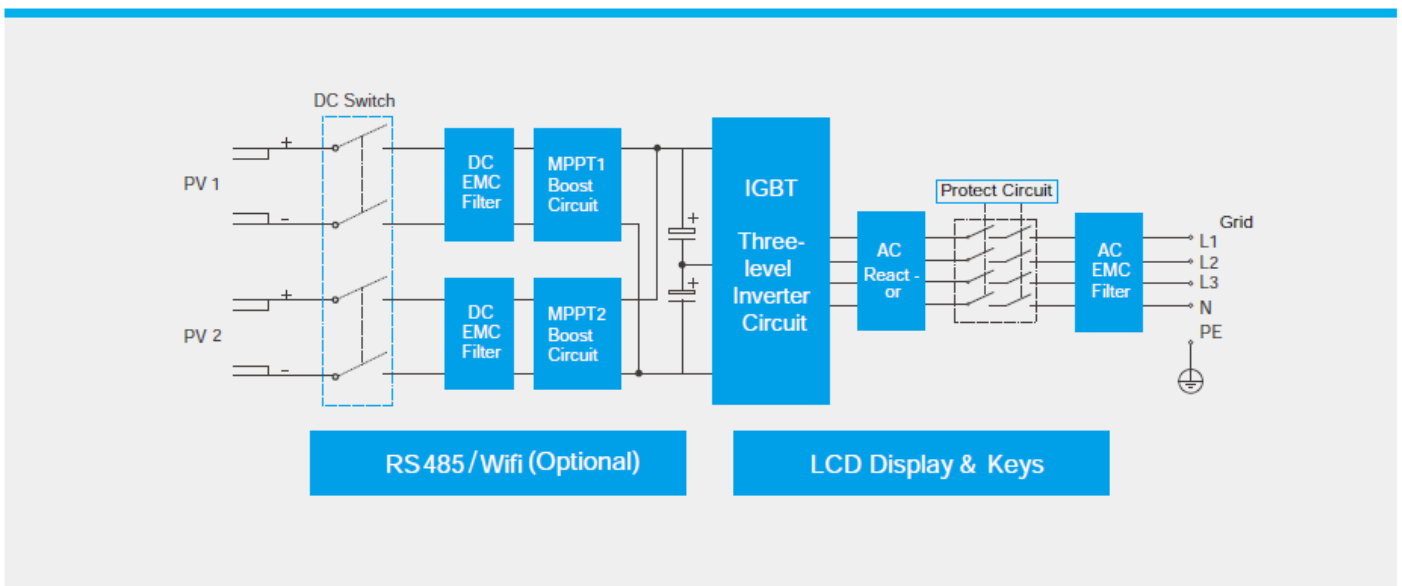
Flexibility:

- Indoors and outdoors usage (IP65)
- Easy installation and free maintenance
- RS485/WiFi(optional) communication
- Multi-lingual display with large LCD screen

Reliability:

- Reliable protection for over/under voltage, anti-islanding, short circuit, overload, etc.
- 5-year quality warranty extends to 15-years (optional) exclusively
- Comply with VDE0126-1-1 , EN62109 - 1,EN62109-2,G59/2,AS/ NZS 3100,AS4777.2, AS4777.3,VDE-AR-N-4105,CQC etc.

Diagram :



Technical data

Inverter Model	10000W	12000W	15000W	17000W	20000W
Input (DC)					
Max DC power	10200 W	12250 W	15340 W	17410 W	20500 W
Max DC voltage	1000 V	1000 V	1000 V	1000 V	1000 V
Full load MPPT Voltage Range /Rated Voltage	250-1000V/610V	250-1000V/610V	250-1000V/610V	250-1000V/610V	250-1000V/610V
Max input current input A/input B	20A/20A	20A/20A	20A/20A	20A/20A	20A/20A
Start up Voltage / On-grid Voltage	160/200V	160/200V	160/200V	160/200V	160/200V
Number of MPP trackers / Stringsper tracker	2/2	2/2	2/2	2/2	2/2
Output (AC)					
AC nominal power (@230V,50HZ)	10 KW	12 KW	15 KW	17 KW	20 KW
Max nominal apparent power	10 KVA	12 KVA	15 KVA	17KVA	20 KW
Nominal AC voltage	3/N/PE 220V/380V 3/N/PE 230V/400V 3/N/PE 240V/415V	3/N/PE 220V/380V 3/N/PE 230V/400V 3/N/PE 240V/415V	3/N/PE 220V/380V 3/N/PE 230V/400V 3/N/PE 240V/415V	3/N/PE 220V/380V 3/N/PE 230V/400V 3/N/PE 240V/415V	3/N/PE 220V/380V 3/N/PE 230V/400V 3/N/PE 240V/415V
AC voltage range	176V-276V	176V-276V	176V-276V	176V-276V	176V-276V
AC grid frequency	50Hz/60Hz	50Hz/60Hz	50Hz/60Hz	50Hz/60Hz	50Hz/60Hz
Max output current	16A	19A	24A	25A	30A
Power factor (adjustable)	0.8leading-0.8lagging	0.8leading-0.8lagging	0.8leading-0.8lagging	0.8leading-0.8lagging	0.8leading-0.8lagging
Harmonics (THD)	<3%	<3%	<3%	<3%	<3%
Efficiency					
Max efficiency	98.0%	98.0%	98.0%	98.0%	98.0%
Euro efficiency	97.2%	97.3%	97.5%	97.5%	97.5%
MPPT efficiency	99.9%	99.9%	99.9%	99.9%	99.9%
General data					
Dimensions (W / H / D)	540 / 660/ 192m	540 / 660/ 192m	540 / 660/ 192m	540 / 660/ 192m	540 / 660/ 192m
Weight	40kg	40kg	40kg	40kg	41kg
Operating temperature range	-25°C~ +60°C	-25°C~ +60°C	-25°C~ +60°C	-25°C~ +60°C	-25°C~+60°C
Degree of protection (according to IEC 60529)	IP65	IP65	IP65	IP65	IP65
Climatic category (according to IEC 60721-3-4)	4K4H	4K4H	4K4H	4K4H	4K4H
Internal consumption: (night)	<1W	<1W	<1W	<1W	<1W
Topology structure	Transformerless	Transformerless	Transformerless	Transformerless	Transformerless
Cooling concept	Fans	Fans	Fans	Fans	Fans
Noise (typical)	<50 dB	<50 dB	<50 dB	<50 dB	<50 dB
Screen display	LCD	LCD	LCD	LCD	LCD
humidity	0-100%, non-condensing	0-100%, non-condensing	0-100%, non-condensing	0-100%, non-condensing	<95%
Communication (RS485/WiFi)	Yes/Opt.	Yes/Opt.	Yes/Opt.	Yes/Opt.	Yes/Opt.
Warranty (5 / 10 / 15 years)	Yes/Opt./Opt.	Yes/Opt./Opt.	Yes/Opt./Opt.	Yes/Opt./Opt.	Yes/Opt./Opt.